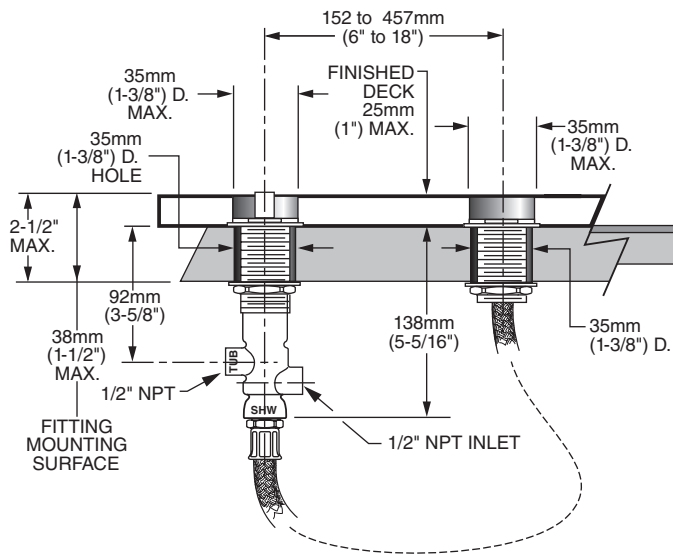


R890 Diverter Rough valve shown with Colony Soft T990.500 trim kit



GENERAL DESCRIPTION:

Durable cast brass construction. 1/2" N.P.T. inlets and outlets. Adjustable total rough-in up to 2-1/2" max., 1-1/2" for rough deck, and 1" additional for finished deck. Diverter valve only (not an On/Off valve) must be installed with separate Deck Mount Tub Filler Valve (Choice of R800 or R810). All personal showers with 2.5GPM/9.5L/min. max. flow.

MODEL NUMBER:

- R890 Diverter and Personal Rough Valve**
Rough valve only.
- T990.500 Colony Soft Trim Kit**
Lever Diverter handle, Personal Shower and holder. LESS valve.
- T508.990 Princeton Trim Kit**
Metal Lever Diverter handle, Personal Shower and holder. LESS valve.
- T038.990 Tropic Trim Kit**
Metal Lever Diverter handle, Personal Shower and holder. LESS valve.
- T028.990 Dazzle Trim Kit**
Metal Lever Diverter handle, Personal Shower and holder. LESS valve.
- T991.712 Hampton Trim Kit**
Porcelain Lever Diverter handle, Personal Shower and holder. LESS valve.
- T991.732 Hampton Trim Kit**
Metal Lever Diverter handle, Personal Shower and holder. LESS valve.



PRODUCT FEATURES:

Brass Construction: Ideal for prolonged contact with water.

Many trim options: Wide range of styles.

Choice of Finishes: Wide range of durable finishes.

SUGGESTED SPECIFICATION:

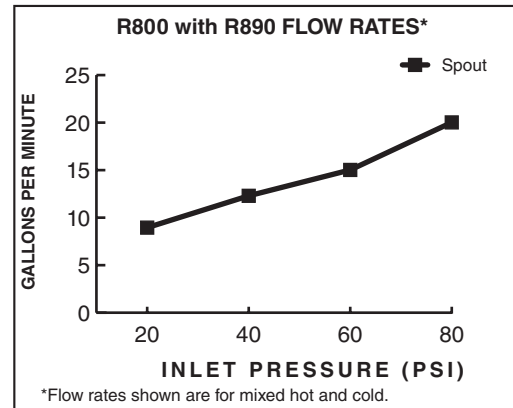
Deck-mount tub filler diverter valve shall feature cast brass construction and an adjustable rough-in up to 2-1/2". Fitting shall be American Standard Model # R890 Trim kit # ____.

CODES AND STANDARDS

These products meet or exceed the following codes and standards:

**ASME A112.18.1
CSA B 125**

Check local plumbing codes. Some installations may require a vacuum breaker.



| | Product Number | Description | Finish Options | | |
|--|----------------|--|-----------------|--------------------|--------------------|
| | | | Polished Chrome | PVD Polished Brass | (PVD) Satin Nickel |
| | | | 002 | 099 | 295 |
| | R890 | Rough valve only. | N/A | N/A | N/A |
| | T990.500 | Lever Diverter handle. Personal shower and holder. Less valve. | | N/A | |
| | T508.990 | Metal Lever Diverter handle. Personal shower and holder. Less valve. | | N/A | |
| | T038.990 | Metal Lever Diverter handle. Personal shower and holder. Less valve. | | N/A | |
| | T028.990 | Metal Lever Diverter handle. Personal shower and holder. Less valve. | | N/A | |
| | T991.712 | Porcelain Lever Diverter handle. Personal shower and holder. Less valve. | | N/A | |
| | T991.732 | Metal Lever Diverter handle. Personal shower and holder. Less valve. | | | |

N/A = NOT AVAILABLE

Meets the American Disabilities Act Guidelines and **ANSI A117.1** Requirements for the physically challenged.